

A.C. PAD DETAIL

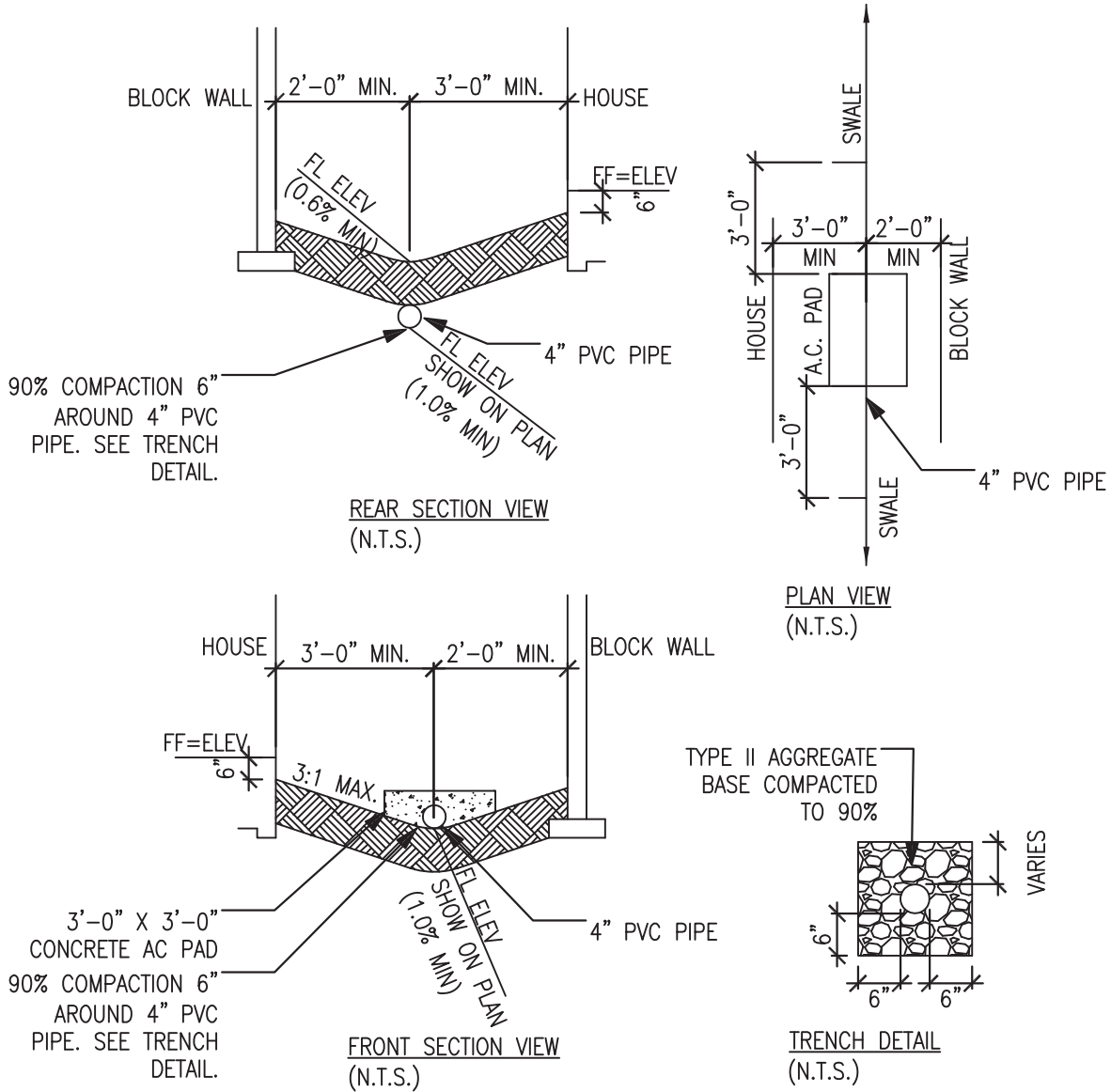
2018 CODE CYCLE

Clark County
Dept. of Building & Fire Prevention
4701 W Russell Rd
Las Vegas, NV 89118
(702) 455-3000

Boulder City
Building Department
401 California Avenue
Boulder City, NV 89005
(702) 293-9282

Henderson
Building & Fire Safety Dept.
240 Water Street
Henderson, NV 89015
(702) 267-3650

Las Vegas
Building & Safety Dept.
333 N. Rancho Drive
Las Vegas, NV 89106
(702) 229-6251



AC DRAINAGE BYPASS DETAIL
(N.T.S.)

Mesquite
Building Department
10 East Mesquite Blvd.
Mesquite, NV 89027
(702) 346-2835

North Las Vegas
Building & Fire Safety
2250 Las Vegas Blvd. N
N. Las Vegas, NV 89030
(702) 633-1577

Pahrump
Building & Fire Safety Dept.
250 N Hwy 160 Suite #3
Pahrump, NV 89060
(775) 751-3373

Clark County School District
Building Department
1180 Military Tribute Place
Henderson, NV 89074
(702) 799-7605