

SFR-COVERED PATIO **HEAVY** ROOFING MATERIAL 2018 IBC

Clark County
Dept. of Building & Fire Prevention
4701 W Russell Rd
Las Vegas, NV 89118
(702) 455-3000

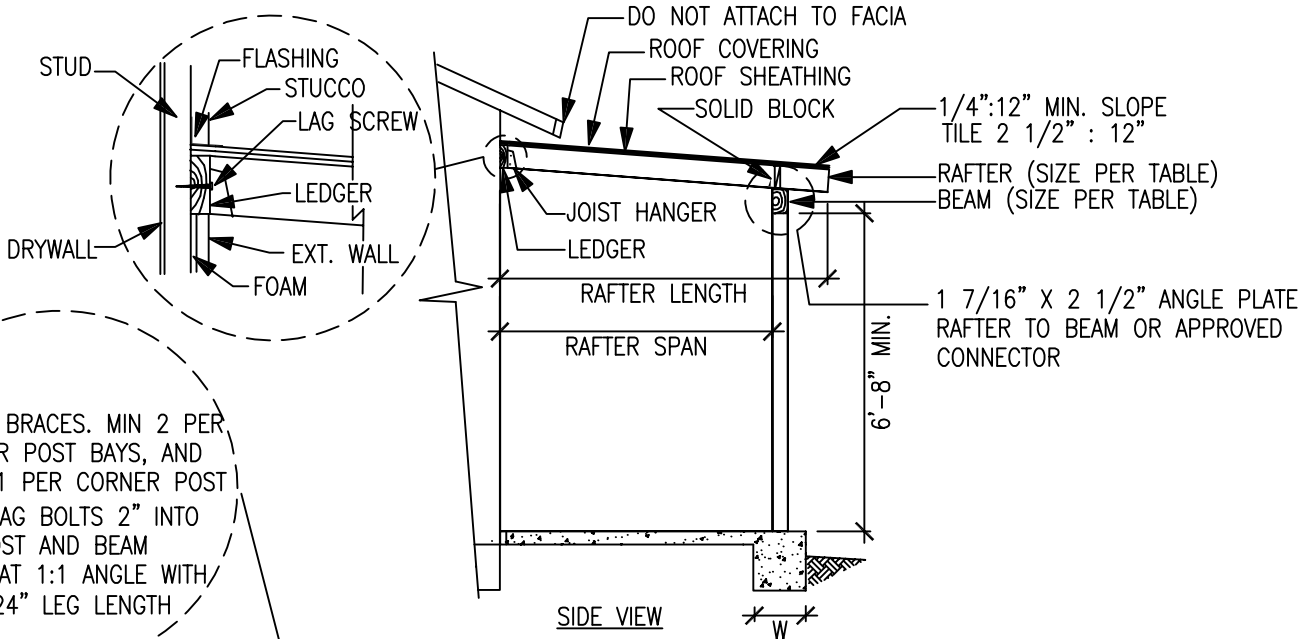
Boulder City
Building Department
401 California Avenue
Boulder City, NV 89005
(702) 293-9282

Henderson
Building & Fire Safety Dept.
240 Water Street
Henderson, NV 89015
(702) 267-3650

Las Vegas
Building & Safety Dept.
333 N. Rancho Drive
Las Vegas, NV 89106
(702) 229-6251

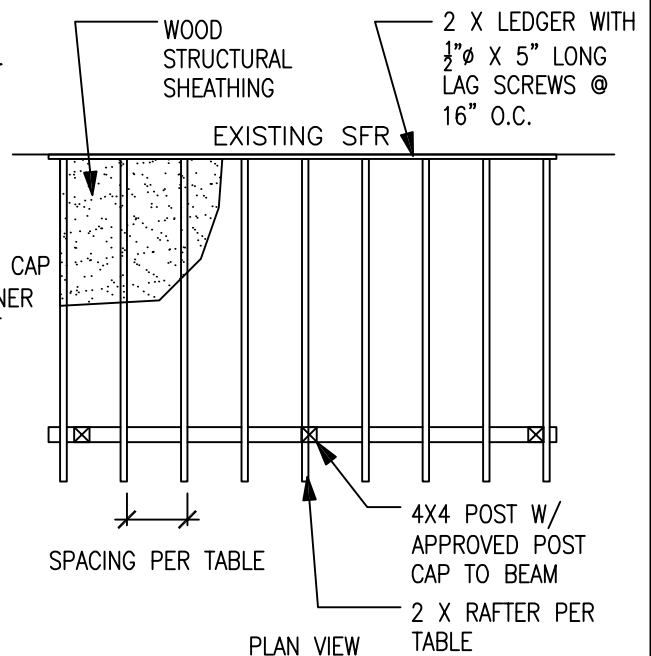
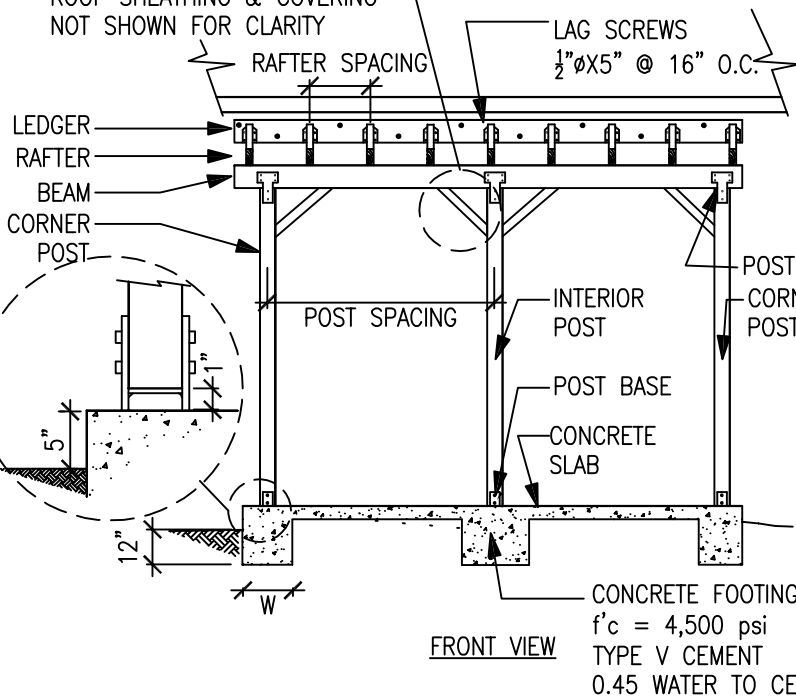
****THIS HANDOUT IS NOT INTENDED FOR THE CONSTRUCTION OF DECKS, BALCONIES, OR ROOM ADDITIONS**

MORE THAN THE MINIMUM SLOPE OF 1/4:12 MAY BE REQUIRED DUE TO THE ROOF COVERING SELECTED



4X KNEE BRACES. MIN 2 PER INTERIOR POST BAYS, AND MINIMUM 1 PER CORNER POST
MIN 1/2" LAG BOLTS 2" INTO POST AND BEAM
INSTALL AT 1:1 ANGLE WITH MIN 24" LEG LENGTH

ROOF SHEATHING & COVERING NOT SHOWN FOR CLARITY



Mesquite
Building Department
10 East Mesquite Blvd.
Mesquite, NV 89027
(702) 346-2835

North Las Vegas
Building & Fire Safety
2250 Las Vegas Blvd. N
N. Las Vegas, NV 89030
(702) 633-1577

Pahrump
Building & Fire Safety Dept.
250 N Hwy 160 Suite #3
Pahrump, NV 89060
(775) 751-3373

SOUTHERN NEVADA BUILDING OFFICIALS
REGIONAL STANDARDS

B-103-2
2-5-2019
PG. 2 OF 2

SFR-COVERED PATIO **HEAVY** ROOFING MATERIAL 2018 IBC

Clark County
Dept. of Building & Fire Prevention
4701 W Russell Rd
Las Vegas, NV 89118
(702) 455-3000

Boulder City
Building Department
401 California Avenue
Boulder City, NV 89005
(702) 293-9282

Henderson
Building & Fire Safety Dept.
240 Water Street
Henderson, NV 89015
(702) 267-3650

Las Vegas
Building & Safety Dept.
333 N. Rancho Drive
Las Vegas, NV 89106
(702) 229-6251

| RAFTER SPAN USING DOUGLAS FIR #2 GRADING AGENCY WWPA, WCLIB | | |
|---|---------|----------|
| SIZE | SPACING | MAX SPAN |
| 2X4 | 12" | 8'-7" |
| | 16" | 7'-10" |
| | 24" | 6'-10" |
| 2X6 | 12" | 13'-6" |
| | 16" | 12'-3" |
| | 24" | 10'-2" |
| 2X8 | 12" | 17'-10" |
| | 16" | 15'-9" |
| | 24" | 12'-10" |
| 2X10 | 12" | 22'-3" |
| | 16" | 19'-3" |
| | 24" | 15'-9" |

| POST SPACING | BEAM SIZE USING DOUGLAS FIR #2 GRADING AGENCY WWPA, WCLIB RAFTER SPAN WITH 1'-6" OVERHANG | | | | | | | |
|---------------------------------------|---|-----|------|-----|------|-----|-----|-----|
| | 8' | 9' | 10' | 11' | 12' | 13' | 14' | 15' |
| 8' | | 4X6 | | | | | | |
| 9' | | | | | | | | |
| 10' | | | 4X8 | | | | | |
| 11' | | | | | | | | |
| 12' | | | 4X10 | | | | | |
| 13' | | | | | | | | |
| 14' | | | 4X12 | | | | | |
| 15' | | | | | 4X14 | | | |
| SQUARE FOOTING SIZE (W X W) IN INCHES | | | | | | | | |
| POST SPACING | RAFTER SPAN WITH 1'-6" OVERHANG | | | | | | | |
| | 8' | 9' | 10' | 11' | 12' | 13' | 14' | 15' |
| 8' | 18 | 18 | 18 | 20 | 20 | 20 | 20 | 22 |
| 9' | 18 | 18 | 20 | 20 | 20 | 22 | 22 | 22 |
| 10' | 18 | 20 | 20 | 22 | 22 | 22 | 24 | 24 |
| 11' | 20 | 20 | 22 | 22 | 22 | 24 | 24 | 24 |
| 12' | 20 | 22 | 22 | 24 | 24 | 24 | 26 | 26 |
| 13' | 22 | 22 | 24 | 24 | 24 | 26 | 26 | 28 |
| 14' | 22 | 24 | 24 | 24 | 26 | 26 | 28 | 28 |
| 15' | 24 | 24 | 24 | 26 | 26 | 28 | 28 | 28 |

NOTE: WHEN ADDING 1/2" GYPSUM BOARD AND 1/2" STUCCO FOR CEILING/SOFFIT:

- INCREASE (1) RAFTER SIZE FOR REQUIRED SPAN/SPACING
- INCREASE (1) BEAM SIZE
- ADD 2" TO 'W' FOR SQUARE FOOTING SIZE

APPLICANT _____.

JOB ADDRESS _____.

PATIO DIMENSION _____ X _____.

RAFTER SIZE _____ X _____ SPACING _____ O.C. SPAN _____.

LEDGER SIZE _____ X _____.

POST SIZE _____ X _____ SPACING _____ O.C.

BEAM SIZE _____ X _____.

FOOTING SIZE _____ X _____.

ROOF MATERIAL _____.

ROOF PITCH _____.

ROOF SHEATHING _____.

DESIGN CRITERIA
LIVE LOAD 10 PSF
DEAD LOAD 20 PSF
LIVE LOAD DEFLECTION L/360
ALLOWABLE SOIL BEARING 1000 PSF

Mesquite
Building Department
10 East Mesquite Blvd.
Mesquite, NV 89027
(702) 346-2835

North Las Vegas
Building & Fire Safety
2250 Las Vegas Blvd. N
N. Las Vegas, NV 89030
(702) 633-1577

Pahrump
Building & Fire Safety Dept.
250 N Hwy 160 Suite #3
Pahrump, NV 89060
(775) 751-3373